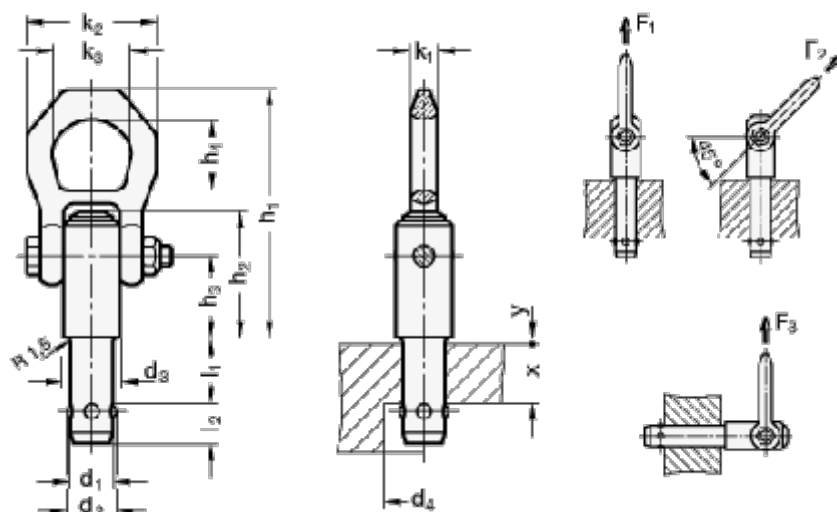


Article number: 2011301250NI

Description: E+G Lifting pins in Stainless steel,
GN 1130-12-50-NI

Measures



| | | | | |
|---------------------|---------------|------------|-------|---------|
| d1 | = 12 | h4 | = 27 | y = 1.5 |
| d2 | = 14.2 | l1 | = 50 | |
| d3 | = 21.5 | l2 | = 11 | |
| d4 | = 14.7 | k1 | = 11 | |
| F1/F2/F3 load in kN | = 3,5/3,2/2,8 | k2 | = 49 | |
| h1 | = 87.5 | k3 | = 30 | |
| h2 | = 38.5 | Weight (g) | = 267 | |
| h3 | = 25.7 | x | = 35 | |